



# CPS ELECTRIC CHAIN HOISTS (110v, 230v & 400v)

## LIGHTWEIGHT



### Single Phase and 3 Phase Electric chain hoist, model CPS with suspension hook.

#### Capacities 125 - 250kgs

The CPS electric chain hoist lifts loads up to 250kgs - **yet weighs from only 12kgs.**

With an M4 high duty rating, the rugged new CPS electric chain hoist keeps lifting and lifting - up to 240 motor starts per hour. It's easy to install and maintain making it ideal for jib and light crane systems.

The CPS electric chain hoist is built to the highest standards and offers unequalled levels of build quality and reliability. Our two year warranty, repair and full after-sales service will allow you to install this excellent new product with confidence.

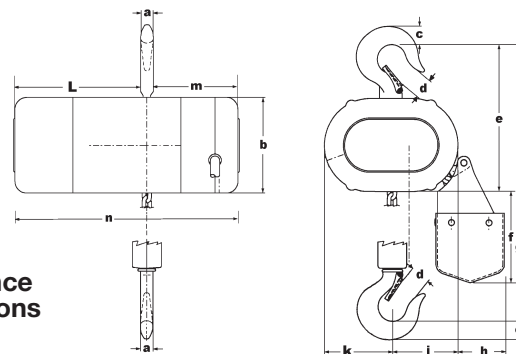
#### Features and benefits include:

- ✓ Easy installation and maintenance.
- ✓ IP54 as standard.
- ✓ 48v Control voltage.
- ✓ Overload protection device as standard.
- ✓ 10-pocket oblique-lay lift wheel for smooth chain operation, constant chain speed and reduced chain wear.
- ✓ Optional impact-resistant chain container.
- ✓ Gear train lifetime lubricated with non-oxidising grease.
- ✓ Alloy load chain for smooth operation and maximum chain life.
- ✓ Thermally protected hoist duty motor.
- ✓ Dual braking system - D.C. plus regenerative.
- ✓ Rugged cast aluminium alloy hoist frame.
- ✓ 5 : 1 factor of safety.
- ✓ Small, compact design for commercial applications.
- ✓ Rigid latch-style upper hook prevents tangling of power cord.
- ✓ Hardened forged steel latch-style lower hook rotates 360°.
- ✓ Totally enclosed non-ventilated hoist frame protects the motor from environmental contamination.
- ✓ True vertical lift.
- ✓ Precision bearings used in the hoist.
- ✓ Two year warranty.

Product code	Capacity (SWL) kgs	Falls of load chain	Supply	Lifting speed m/min	ED duty %	Weight kgs*
CPS 110/1-4	125	1	110v 1ph 50hz	4mpm	40	12
CPS 230/1-4	125	1	230v 1ph 50hz	4mpm	40	12
CPS 400/1-4	125	1	400v 3ph 50hz	4mpm	40	12
CPS 400/1-10	125	1	400v 3ph 50hz	10mpm	40	12
CPS 110/1-4	250	2	110v 1ph 50hz	2mpm	40	14
CPS 230/1-4	250	2	230v 1ph 50hz	2mpm	40	14
CPS 400/1-4	250	2	400v 3ph 50hz	2mpm	40	14
CPS 400/1-10	250	2	400v 3ph 50hz	5mpm	40	14

• Load chain: 4 x 12.2 mm (part no. 7989710)

• Chain bags are NOT included as standard, but are available up to 36mtr capacity.



Clearance dimensions

Rated capacity	a mm	b mm	c mm	d mm	e mm	f mm	g mm	h mm	j mm	k mm	l mm	m mm	n mm
125kgs	14	103	21	22	159	98	276	53	75	76	225	150	375
250kgs	14	103	21	22	159	98	304	53	60	89	225	150	375