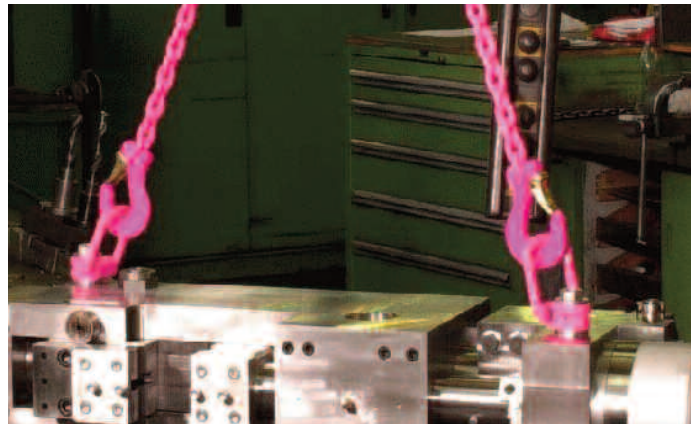
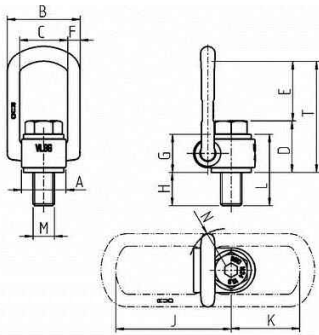




VLBG LIFTING RINGS

Safelift VLBG Lifting Rings can be turned through 360° and aligned to the direction of pull. The load ring can be tilted, guaranteeing full WLL in all load directions.



Dimension Table

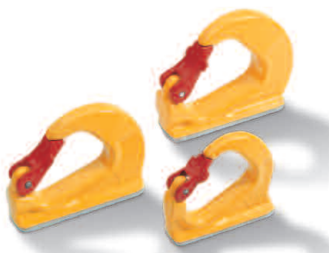
Type	WLL	A	B	C	D	E	F	G (std.)	H (max)	H	J	K (std.)	L (max)	L	M	N	SW	R	T	DB	Weight	Torque (Standard)	Product code (Vario)	Product code washer & nut
	t	mm	mm	mm	mm	mm	mm	mm	mm	mm	mm	mm	mm	mm	mm	mm	mm	mm	mm	mm	kgs	Nm		
VLBG 0.3t M8	0.3	30	54	34	35	40	10	29	11	76	75	45	40	105	8	5	13	32	75	24	0.3	30	8500821	8600280
VLBG 0.63t M10	0.63	30	54	34	36	39	10	29	16	96	75	45	45	125	10	6	17	32	75	24	0.32	60	8500822	8600281
VLBG 1t M12	1	32	54	34	37	38	10	29	21	116	75	45	50	145	12	8	19	32	75	26	0.33	100	8500823	8600382
VLBG 1.5t M16	1.5	33	56	36	46	39	13.5	36	24	149	87	47	60	185	16	10	24	38	85	30	0.55	150	8500824	8600383
VLBG 2.5t M20	2.5	50	82	54	55	55	16.5	43	32	187	113	64	75	230	20	12	30	48	110	45	1.3	250	8500826	8600385
VLBG 4t M24	4	50	82	54	58	67	18	43	37	222	130	78	80	265	24	14	36	48	125	45	1.5	400	8500827	8600386
VLBG 5t M30	5	60	103	65	80	67	22.5	61	49	279	151	80	110	340	30	17	46	67	147	60	3.1	500	8500828	8600388
VLBG 7t M36	7	60	103	65	72	74	22.5	55	52	-	151	80	107	-	36	-	55	67	146	60	3.3	700	8500829	-
VLBG 8t M36	8	77	122	82	100	97	26.5	77	63	223	205	110	140	300	36	22	65	85	197	70	5.8	800	7983553	8600289
VLBG 10t M42	10	77	122	82	103	94	26.5	77	73	273	205	110	150	350	42	24	65	85	197	70	6.4	1000	7983554	8600290
VLBG 15t M42	15	95	156	100	113	109	36	87	63	263	230	130	150	350	42	24	65	100	222	85	11.2	1500	7982966	8600291
VLBG 20t M48	20	95	156	100	117	105	36	87	73	303	230	130	160	390	48	27	75	100	222	95	11.6	2000	7982967	8600292

Load Table

Method of lift												
Number of legs	1	1	2	2	2	2	2	3 and 4	3 and 4	3 and 4		
Angle of inclination α	0°	90°	0°	90°	0 - 45°	45 - 60°	unsymm.	0 - 45°	45 - 60°	unsymm.		
Factor	1	1	2	2	1.4	1	1	2.1	1.5	1		
Type	Thread Size		WLL in tonnes, bolted and adjusted to the direction of pull									
VLBG 0,3t	M 8		0.3	0.3	0.6	0.6	0.42	0.3	0.3	0.63	0.45	0.3
VLBG 0,63t	M 10		0.63	0.63	1.26	1.26	0.88	0.63	0.63	1.32	0.95	0.63
VLBG 1t	M 12 / 1/2"		1	1	2	2	1.4	1	1	2.1	1.5	1
VLBG 1,5t	M 16 / 5/8"		1.5	1.5	3	3	2.1	1.5	1.5	3.15	2.25	1.5
VLBG 2,5t	M 20 / 3/4" / 7/8"		2.5	2.5	5	5	3.5	2.5	2.5	5.25	3.75	2.5
VLBG 4t	M 24 / M 27 / 1"		4	4	8	8	5.6	4	4	8.4	6	4
VLBG 5t	M 30 / 1 1/4"		5	5	10	10	7	5	5	10.5	7.5	5
VLBG 7t	M 36		7	7	14	14	9.8	7	7	14.7	10.5	7
VLBG 8t	M 36		8	8	16	16	11.2	8	8	16.8	12	8
VLBG 10t	M 42		10	10	20	20	14	10	10	21	15	10
VLBG 15t	M 42		15	15	30	30	21	15	15	31.5	22.5	15
VLBG 20t	M 48		20	20	40	40	28	20	20	42	30	20



EXCAVATOR WELD ON HOOKS



Product code	Capacity (SWL) kgs	Weight kgs
G8YX01	1000	0.4
G8YX03	3000	1.25
G8YX05	5000	2.35
G8YX08	8000	3.6

Safelift weld on hooks are universal attachments for use on trucks, excavators, low loaders and spreader beams etc. The hook and safety latch are epoxy resin coated for added corrosion protection and the return spring is made from stainless steel.