

Standard plate clamps with safety lock

Working load limit (WLL) 500 - 3000kgs

These clamps are primarily used for transporting sheet metal and steel plates in the vertical position, as well as lifting and rotating through 180°.

They can also be used for transporting steel constructions and profiles. It is recommended to use a pair of plate clamps in conjunction with a spreader beam for large sized steel and long materials which have a tendency to sag.

Function

The jaw can be opened and closed with the locking lever (ex. for the 92-500 which uses a positive spring-loaded cam).

Safety lock over rides the spring-loaded cam, preventing the clamp from opening even when there is no load.

Workmanship and parts

These plate clamps are service-friendly, making it easy to exchange parts. Clamp repairs are available through Rossendale Group repair and test facilities.

The 92-500 is equipped with a safety lock (positive spring-loaded cam), but comes without locking lever.

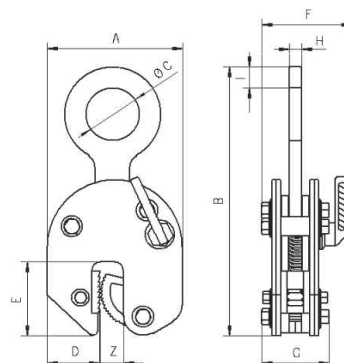
NB: The plate surface of the material must have a hardness level below HRC 30/Brinell 300!



Model	Product code	WLL (min - max) kgs*	Jaw (Z) capacity mm	A mm	B mm	C mm	D mm	E mm	F mm	G mm	H mm	Weight kgs*
92-500	4300000001	50 - 500	0 - 16	99	195	29	33	47	50	48	11	1.5
92-1500	4300000002	150 - 1500	0 - 20	126	225	50	49	70	82	55	12	3.0
92-2000	4300000003	200 - 2000	0 - 32	192	312	80	75	96	100	81	20	8
92-3000	4300000004	300 - 3000	0 - 32	192	312	80	75	96	100	81	30	10

PLEASE NOTE: Units are supplied as standard with a hook ring. Link fitting and chain are available on request as a special order.

*Per clamp *Weight per clamp without link or chains



92 Series Plate Clamps, Working load limit 500 - 3000 kgs