

welded shell construction

Heavy duty plate clamps with safety lock

Working load limit (WLL) 1000 - 30000kgs

These clamps are primarily used for transporting sheet metal and steel plates in the vertical position, as well as lifting and rotating through 180°.

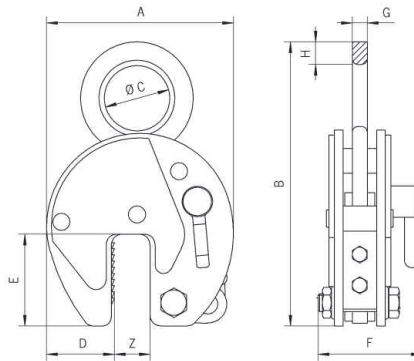
They can also be used for transporting steel constructions and profiles. It is recommended to use a pair of plate clamps in conjunction with a spreader beam for large sized steel and long materials which have a tendency to sag.

Function

The jaw can be opened and closed with the locking lever. Safety lock over rides the spring-loaded cam, preventing the clamp from opening even when there is no load.

Workmanship and parts

These plate clamps are service-friendly, making it easy to exchange parts, which are available individually or in kits. Clamp repairs are available through Rossendale Group repair and test facilities.



NB: The plate surface of the material must have a hardness level below HRC 30/Brinell 300!

Model	Product code	WLL (min - max) kgs*	Jaw (Z) capacity mm	A mm	B mm	C mm	D mm	E mm	F mm	G mm	H mm	Weight kgs*
CZ 1	4300000092	100 - 1000	0 - 20	140	254	51	48	70	83	13	19	4
CZ1L	4300000102	100 - 1000	20 - 40	161	260	51	48	70	83	20	19	5
CZ 2	4300000107	200 - 2000	0 - 32	197	323	67	68	93	110	20	20	11
CZ 2L	4300000112	200 - 2000	30 - 60	228	330	67	68	93	110	20	20	13
CZ 3	4300000115	300 - 3000	0 - 32	197	371	80	68	93	110	20	30	12
CZ 3L	4300000120	300 - 3000	30 - 60	228	390	80	68	93	110	20	30	15
CZ4	4300000123	480 - 4000	0 - 32	197	371	80	68	93	129	20	30	12
CZ 4L	4300000126	480 - 4000	30 - 60	228	390	80	68	93	129	20	30	18
CZ 6	4300000129	720 - 6000	0 - 50	293	484	89	95	143	129	25	35	21
CZ 6L	4300000132	720 - 6000	50 - 100	362	524	89	95	143	129	25	35	28
CZ 8	4300000135	960 - 8000	0 - 50	293	492	89	95	143	129	25	42	26
CZ 8L	4300000136	960 - 8000	50 - 100	362	524	89	114	143	129	25	42	32
CZ 10	4300000093	1500 - 10000	0 - 50	293	545	110	95	143	139	25	45	30
CZ 10L	4300000094	1500 - 10000	50 - 100	362	545	110	114	143	139	25	45	37
CZ 12	4300000095	1800 - 12000	0 - 50	360	613	130	125	162	154	30	55	54
CZ 12L	4300000096	1800 - 12000	50 - 100	460	678	130	175	162	154	30	55	63
CZ 15	4300000097	3000 - 15000	0 - 50	360	613	130	125	162	204	45	55	75
CZ 15L	4300000098	3000 - 15000	50 - 100	460	678	130	175	162	204	45	55	88
CZ 20	4300000108	4000 - 20000	0 - 65	462	755	130	165	210	235	45	65	123
CZ 20L	4300000109	4000 - 20000	65 - 130	560	805	130	195	210	235	45	65	136
CZ 30	4300000116	6000 - 30000	0 - 65	462	732	60	165	210	295	65	-	195
CZ 30L	4300000117	6000 - 30000	65 - 130	560	797	60	195	210	295	65	-	295

PLEASE NOTE: Units are supplied as standard with a hook ring. Link fitting and chain are available on request as a special order. Also available with 'Sharp Leg' body shell or extra thick shell plates for dragging.

*Per clamp *Weight per clamp without link or chains