

# LJ 'Standard' NON-MARKING PLATE CLAMPS

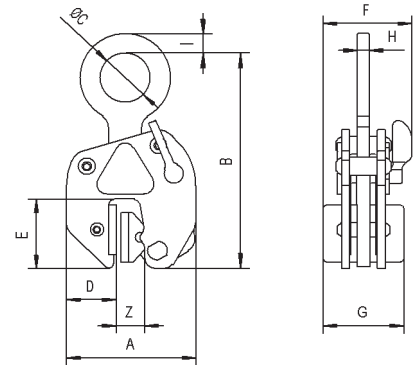


The LJ non-marking plate clamps are designed for lifting, turning and transporting of all structural steel plates, stainless steel, iron, timber and aluminium without marking, damaging or leaving indentations on the surface. They can also be used for plates with extremely hard surfaces.

As standard these clamps come with leather lined pads and jaws, however there is also the option of having rubber pads fitted for use with polished materials. Contact our sales team for details.

These clamps are service-friendly, making them easy to exchange parts, which are available individually or in kits. Clamp repairs are available through Rossendale Group repair and test facilities.

**NB: The surface of the plate must be free of oil, grease or any other liquid to ensure safe transport.**

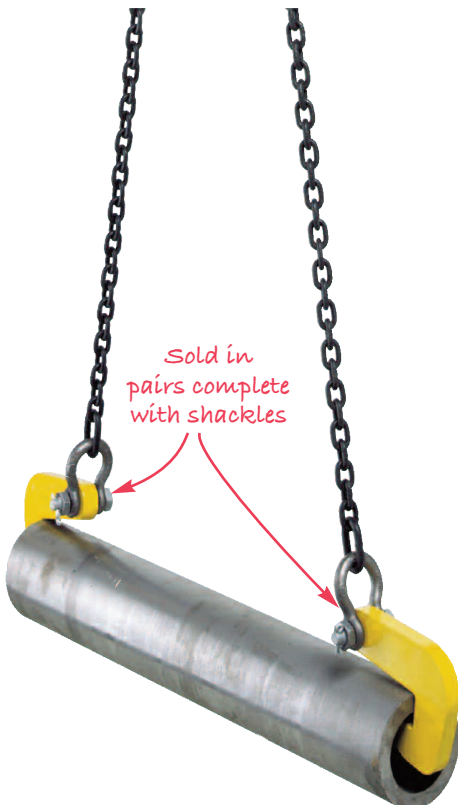


Model	Product code	WLL (min - max) kgs*	Jaw capacity mm	A mm	B mm	C mm	D mm	E mm	F mm	G mm	H mm	I mm	Weight kgs*
LJ 500	4300000182	25 - 500	0 - 10	127	200	55	52	69	86.5	76	13	20	3.5
LJ 1500	4300000185	180 - 1500	0 - 20	215	345	85	75	135	131	118	20	24	12

\*Per clamp

\*Weight per clamp without chains

# PH PIPE HOOKS



The PH pipe hooks are used in pairs for the safe transport of pipes. The shackles are included with the hooks.

Hooks with a plastic protective cover are also available, upon request, for use on pipes with sensitive surfaces.

### PH for 60° - 90° top angle between chains:

Model	Product code	WLL kgs***	Pipe wall thickness mm	Weight kgs**
PH 2/A	4300000207	2000	0 - 40	2.4
PH 4/A	4300000210	4000	0 - 50	5.6
PH 6/A	4300000213	6000	0 - 60	8.3
PH 8/A	4300000216	8000	0 - 70	13.5
PH 10/A	4300000203	10000	0 - 80	17.8

### PH for 90° - 120° top angle between chains:

Model	Product code	WLL kgs***	Pipe wall thickness mm	Weight kgs**
PH 2/B	4300000209	2000	0 - 30	2.4
PH 4/B	4300000212	4000	0 - 40	5.6
PH 6/B	4300000215	6000	20 - 50	8.3
PH 8/B	4300000217	8000	35 - 65	13.5
PH 10/B	4300000205	10000	30 - 75	17.8

\*\*Weight per pair including shackles

\*\*\*Per pair