



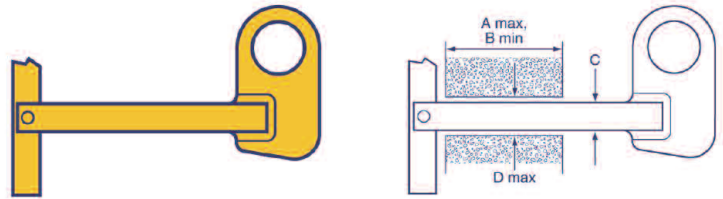
# LP 'Quick Release' MANHOLE PIPE LIFTING PINS

Manhole pipe lifting pins have been designed and made for the safe lifting and positioning of concrete manhole chambers.

The unique quick release feature enables the ground workers to complete the installation without additional tools.

**Features and benefits include:**

- ✓ Speeds lifting operations
- ✓ Safe and simple
- ✓ Complete with test certificate
- ✓ No threads to protect or nuts to safeguard
- ✓ 4 standard sizes to suit most manhole pipes



**WARNING:** Shock loads can be more than twice the static load. Exceeding the SWL could result in failure of the lifting pin.

Product	WLL tonnes*	Pin mm	A code mm	B capacity mm	C Diameter mm	D mm	Weight kgs*
LP2540	0.75	25	160	75	25	40	0.9
LP3248	1	32	160	75	32	48	1.4
LP3555	1.5	35	160	75	55	55	1.8
LP3860	2	38	160	75	60	80	2.4

\*Per pin



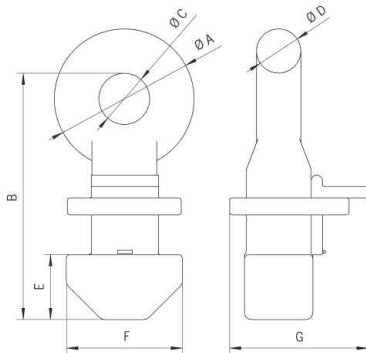
# CLT/B CONTAINER LIFTING LUGS

## CLT for top lifting CLB for side lifting

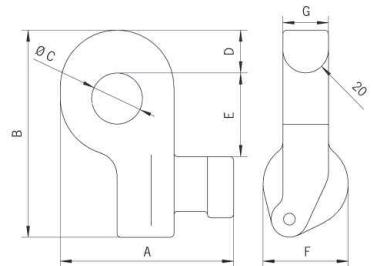
Working load limit (WLL) 32000 - 56000kgs

These container lifting lugs are supplied in sets of 4 and are available in with a total lifting capacity of up to 56 tonnes. The CLT & CLB lugs serve as flexible lashing points for the transportation of containers.

Two types are available dependant on if you want to fasten them to the top or the side of the container.



Container lifting lug CLT for top lifting.



Container lifting lug CLB for side lifting

Model	Product code	WLL kgs	Type of lifting	Top angle between chains	A mm	B mm	C mm	D mm	E mm	F mm	G mm	Weight per set of 4 kgs
CLB 32	4300000063	32000	SIDE	50°	152	181	45	37	73	75	40	18
CLB 40	4300000064	40000	SIDE	36°	152	181	45	37	73	75	40	18
CLT 56	4300000065	56000	TOP	50°	152	181	45	37	73	75	40	28