

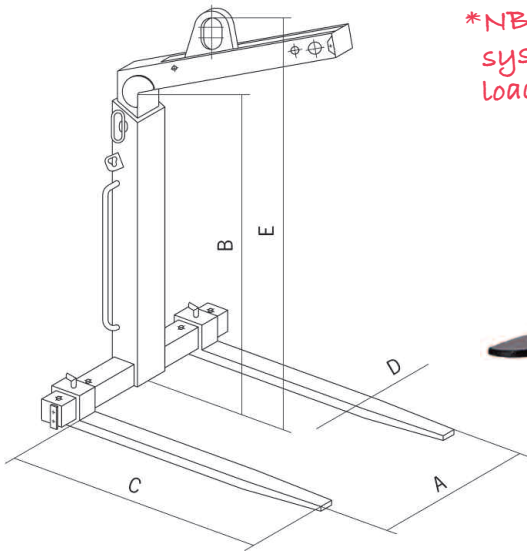
## Crane forks - AUTOMATIC

with adjustable tines, height adjustability and self weight balancing forks

These TKG-VHS crane forks are equipped with adjustable tines, height adjustability & an automatic balancing system. Crane forks with automatic balancing\* tend to point their tines upward when being transported. This prevents the load from unintentionally slipping off the tines.

The shackle is movable and runs up and down on a track depending on the load. The automatic balancing engages by a pressurised gas spring once the forks are loaded. The load will always be in the centre of gravity of the forks ensuring a safe transport.

- All crane forks comply to all current European Quality Standards.
- Factor of safety 4 : 1
- Maintenance free.
- Highly visible safety colour.
- For the transport of rings or coils, the fork tines are simply pushed together.
- Easily adjustable tines for all pallet sizes.
- Supplied with chain for securing the load.



*\*NB: The automatic balancing system requires a minimum load of 20% of the crane forks working load limit.*



Model	Product code	WLL* kgs	Adjustment of tines (A) mm	Useable height (B) mm	Length of tines (C) mm	Section of tines (D) mm	Overall height (E) mm	Weight kgs
TKG1.0vhs	53407531	*200 - 1000	350 - 900	1100 - 1600	1000	100 x 30	1420 - 1920	140
TKG2.0vhs	53407533	*400 - 2000	400 - 900	1300 - 2000	1000	120 x 40	1655 - 2355	220
TKG3.0vhs	53407534	*600 - 3000	450 - 900	1300 - 2000	1000	120 x 50	1720 - 2420	280
TKG5.0vhs	53407535	*1000 - 5000	500 - 1000	1300 - 2000	1000	150 x 60	1710 - 2410	380