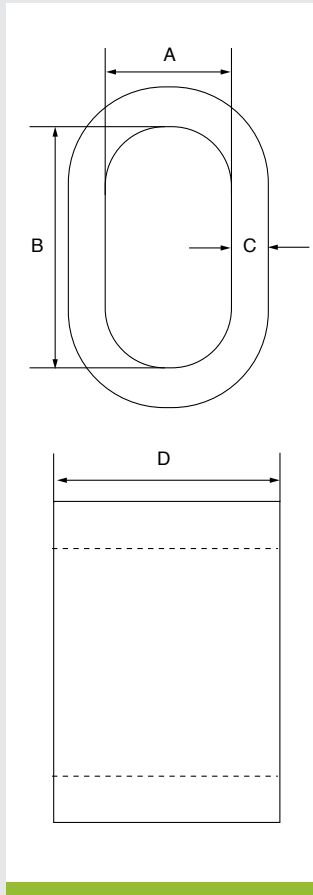


Aluminium Ferrule BS EN 13411-3



Product Code	Rope Dia Fibre Core mm	Rope Dia IWRC mm	A mm	B mm	C mm	D mm	Weight kgs/1000
AF1	1	-	1.3	2.6	0.85	5	0.1
AF1.5	1.5	1	1.8	3.6	1.05	6	0.21
AF2	2	1.5	2.2	4.4	0.90	7	0.24
AF2.5	2.5	2	2.7	5.4	1.05	9	0.5
AF3	3	2.5	3.3	6.6	1.25	11	0.84
AF3.5	3.5	3	3.8	7.6	1.5	13	1.32
AF4	4	3.5	4.4	8.8	1.7	14	1.81
AF4.5	4.5	4	4.9	9.8	1.9	16	2.61
AF5	5	4.5	5.5	11	2.1	18	3.57
AF6	6	5	6.6	13.2	2.5	21	5.86
AF6.5	6.5	6	7.2	14.4	2.7	23	7.55
AF7	7	6.5	7.8	15.6	2.9	25	9.53
AF8	8	7	8.8	17.6	3.3	28	13.7
AF9	9	8	9.9	19.8	3.7	32	19.8
AF10	10	9	10.9	21.8	4.1	35	26.4
AF11	11	10	12.1	24.2	4.5	39	35.8
AF12	12	11	13.2	26.4	4.9	42	45.8
AF13	13	12	14.2	28.4	5.4	46	59.7
AF14	14	13	15.3	30.6	5.8	49	73.5
AF16	16	14	17.5	35	6.7	56	111
AF18	18	16	19.6	39.2	7.6	63	159
AF20	20	18	21.7	43.4	8.4	70	217
AF22	22	20	24.3	48.6	9.2	77	292
AF24	24	22	26.4	52.8	10	84	376
AF26	26	24	28.5	57	10.9	91	481
AF28	28	26	31	62	11.7	98	603
AF30	30	28	33.1	66.2	12.5	105	739
AF32	32	30	35.2	70.4	13.4	112	897
AF34	34	32	37.8	75.6	14.2	119	1,080
AF36	36	34	39.8	79.6	15	126	1,275
AF38	38	36	41.9	83.8	15.8	133	1,490
AF40	40	38	44	88	16.6	140	1,734
AF42	42	40	45	90	17.4	147	2,020
AF44	44	42	48.4	96.8	18.3	154	2,314
AF46	46	44	49	98	19	161	2,557
AF48	48	46	52.8	105.6	20	168	3,010
AF50	50	48	54.9	109.8	20.7	175	3,400
AF52	52	50	57.2	114.4	21.6	182	3,813
AF54	54	52	59.4	118.8	22.4	189	4,120
AF56	56	54	61.6	123.2	23.3	196	4,772
AF58	58	56	63.8	127.6	24	203	5,200
AF60	60	58	66	132	25	210	5,880

- Brushed aluminium.
- Natural finish.
- Conforms to BS EN 13411-3.
- Certification available [2.1](#)