

FERRULES



Full details and safety information about our range of Ferrules.

APPLICATIONS

Sleeves are used for Swaged and Flemish Eye wire rope slings. They are available in two types and a large number of sizes.

RANGE

Rossendale Group offers a wide range of sleeves, in both aluminium and carbon steel.

DESIGN

Aluminium wire rope sleeves are manufactured according to DIN 3093 A. For safety in fabrication, and application our sleeves are of seamless construction corresponding with the requirements of DIN 3093 A regarding material composition and mechanical properties.

Prescon carbon steel sleeves are manufactured from carbon steel and feature the Swaging Verification System in which the colour changes intensity after swaging. This system helps the sling manufacturer to determine whether or not the sleeve has been pressed.

The sleeves are of seamless construction and fit industry standard dies.

FINISH

Aluminium sleeves are self coloured.

The smaller dimensions of Prescon sleeves, up to and including 25 mm, are colour coded, larger dimensions are self coloured.

CERTIFICATION

Upon request, all sleeves can be supplied with a works certificate.

INSTRUCTIONS FOR USE

Aluminium sleeves, please refer to EN13411-3

Prescon sleeves are suitable for:

- 6 x 19 and 6 x 37 IWRC right regular lay EIPS steel wire rope
- 6 x 19 and 6 x 37 FC IPS right regular lay steel wire rope

Colour change is not an indication for proper swaging, only

A Flemish Eye is made the following way:

A carbon steel sleeve is placed on the steel wire rope after its required length is set. Then the Flemish Eye is spliced in the rope. The sleeve is pushed over the splice and then swaged. Multiple progressive pressings are required to prevent flash, which will develop into a permanent mark or possibly a crack in the sleeve.

A light oil lubricant should be applied to each die and cleaned after the swaging operation to stimulate effective colour change.

Colour change is not an indication for proper swaging, only an indication that the sleeve has been pressed.

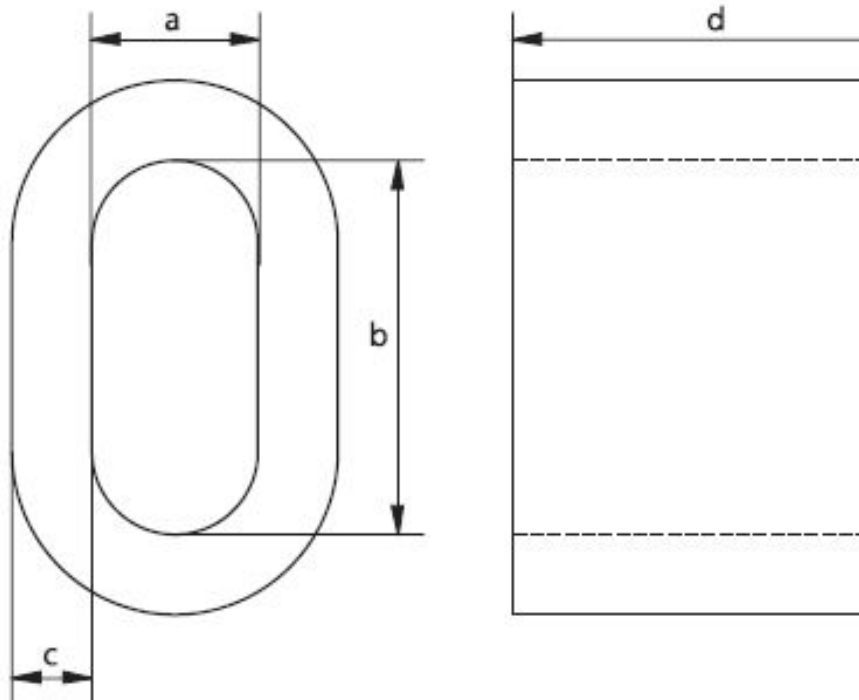
Proper swaging practices are the sling manufacturer's responsibility.

Regular inspection of swaging machine, dies etc. must be conducted to ensure that the equipment continues to meet required standards.

ALUMINIUM SLEEVES

For wire rope

- Material : Aluminium
- Standard : EN 13411-3 formerly DIN 3093 A
- Finish : Self coloured

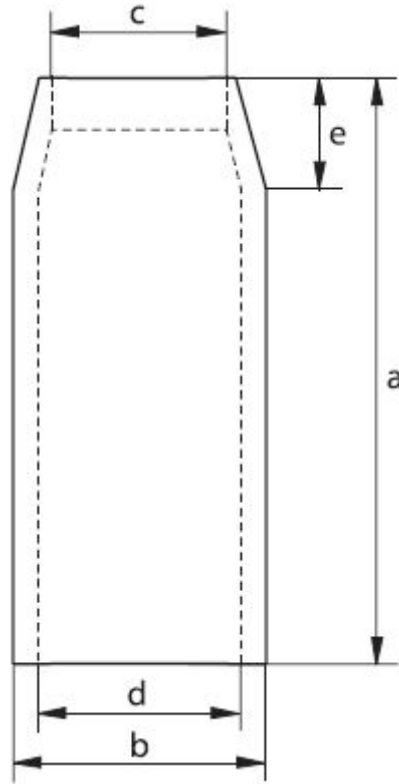


Diameter wire rope	Diameter	Width	Thickness	Length	Weight per 1000pcs
	a	b	c	d	
mm	mm	mm	mm	mm	kg
1.0	1.2	2.4	0.7	5	0.10
1.5	1.7	3.4	0.8	6	0.21
2.0	2.2	4.4	0.9	7	0.24
2.5	2.7	5.4	1.1	9	0.50
3.0	3.3	6.6	1.3	11	0.84
3.5	3.8	7.6	1.5	13	1.32
4.0	4.4	8.8	1.7	14	1.81
4.5	4.9	9.8	1.9	16	2.61
5.0	5.5	11.0	2.1	18	3.57
6.0	6.6	13.2	2.5	21	5.86
6.5	7.2	14.4	2.7	23	7.55
7.0	7.8	15.6	2.9	25	9.53
8.0	8.8	17.6	3.3	28	13.70
9.0	9.9	19.8	3.7	32	19.80
10.0	10.9	21.8	4.1	35	26.40
11.0	12.1	24.2	4.5	39	35.80
12.0	13.2	26.4	4.9	42	45.80
13.0	14.2	28.4	5.4	46	59.70
14.0	15.3	30.6	5.8	49	73.50
16.0	17.5	35.0	6.7	56	111.00
18.0	19.6	39.2	7.6	63	159.00
20.0	21.7	43.4	8.4	70	217.00
22.0	24.3	48.6	9.2	77	292.00
24.0	26.4	52.8	10.0	84	376.00
26.0	28.5	57.0	10.9	91	481.00
28.0	31.0	62.0	11.7	98	603.00
30.0	33.1	66.2	12.5	105	739.00
32.0	35.2	70.4	13.4	112	897.00
34.0	37.8	75.6	14.2	119	1,080.00
36.0	39.8	79.6	15.0	126	1,275.00
38.0	41.9	83.8	15.8	133	1,490.00
40.0	44.0	88.0	16.6	140	1,734.00
42.0	46.2	92.4	17.5	147	2,020.00
44.0	48.4	96.8	18.3	154	2,314.00
46.0	50.6	101.2	19.2	161	2,557.00
48.0	52.8	105.6	20.0	168	3,010.00
50.0	55.0	110.0	20.8	175	3,400.00
52.0	57.2	114.4	21.6	182	3,813.00
54.0	59.4	118.8	22.5	189	4,120.00
56.0	61.6	123.2	23.3	196	4,772.00
58.0	63.8	127.6	24.2	203	5,200.00
60.0	66.0	132.0	25.0	210	5,880.00

PRESCON SLEEVES

For wire rope

- Material: Special carbon steel
- Finish: up to and including size 25 mm colour coded
sizes above 25 mm self coloured



Wire Rope Dia	Length	Outside Dia	Inside Dia	Inside Dia	Length	Outside Dia Pressed	Weight Per 100 Pcs
	a	b	c	d	e		
mm	mm	mm	mm	mm	mm	mm	kg
6	25.4	16.7	8.3	11.9	7.1	12.7	2.15
8	38.1	23	11.1	15.5	11.1	18.5	4.03
10	38.1	23	11.9	16.7	11.1	18.5	5.44
11	51	31	14.3	21.4	15.1	24.9	11.3
13	51	31	15.9	23	15.1	24.9	13.2
14	70	37	17.5	26.2	17.9	30.5	19.5
16	70	37	19.1	27.8	17.9	30.5	25.9
19	81	43.6	23.4	32.5	21.8	35.8	39.9
22	90	51.6	26.2	38.9	25.4	41.4	62
25	102	58	29.4	43.7	28.6	47.8	88

28	122	64	32.5	49.2	31.8	53	118
32	132	71	36.5	55	35.7	58	154
34-35	148	76	39.7	60	39.7	62	195
37-38	159	83	42.9	66.7	42.9	67	227
44-45	184	102	49.2	79	50	77	367
50-52	216	111	57	92	57	89	510
56-57	243	128	64	102	64	103	862
62-64	267	140	70	114	71	113	1043
68-70	292	146	76	121	79	118	1270
75-76	305	152	83	127	86	124	1334
87-89	356	178	98	148	100	145	2105
93-95	381	191	103	160	108	156	2495
100-102	406	206	111	173	114	180	3130
112-114	457	232	124	194	129	187	4536